

# **TERRA** POWER ATTACHMENTS **HG36** BRUSH GRAPPLE FOR MINI SKID STEER LOADERS

**NEW—FOR 2006!**



**TERRA** Power Attachments **HG** series Brush Grapple for mini and compact skid steer loaders turns your mini skid steer loader into a serious brush and debris clearing machine. Unlike other specialty buckets, the HG brush grapple is designed to grab tree limbs, debris - even stone. If you just want to move dirt, use a bucket. But if you want to really clean up, get **TERRA's** HG Brush Grapple.

We know that saving you time and money and making your job easier are what it's all about. And that's what you'll get with **TERRA's** HG series. You'll also get the confidence that comes from our 1 year warranty and outstanding service.

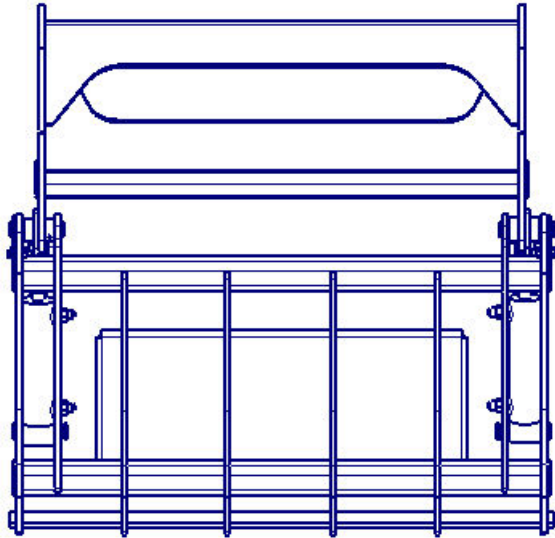
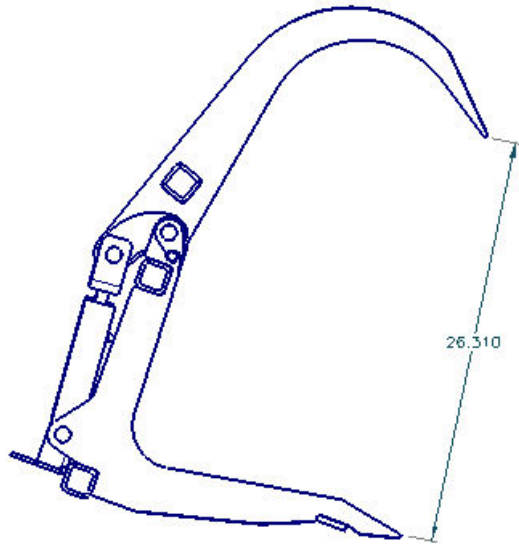
- STRONG, YET LIGHTWEIGHT DESIGN PROVIDES **MAXIMUM-LIFT CAPACITY AND EFFICIENCY**.
- DUAL CYLINDERS ARE REAR MOUNTED TO ALLOW **BETTER OPERATOR VISIBILITY** AND BETTER PROTECTION OF HYDRAULIC COMPONENTS.
- GREASED HINGE POINTS **MINIMIZE PIN WEAR**.
- OPEN BOTTOM DESIGN SIFTS OUT DIRT AND SMALLER DEBRIS FROM LIMBS AND LARGER DEBRIS TO **MINIMIZE CONTAMINATION OF ORGANIC MATERIAL**.
- **NARROW WIDTH (35 INCH OVERALL) GIVES YOU ACCESS TO THE TIGHTEST WORK SPACES YET!**



**TERRA** POWER ATTACHMENTS, INC  
6680 EAST RIDGEWAY DRIVE  
MOORESVILLE, IN 46158  
PH: 1-866-340-3772 FAX: 317-834-2376

# **TERRA** POWER ATTACHMENTS

## HG36 BRUSH GRAPPLE FOR MINI SKID STEER LOADERS



### SPECIFICATIONS

MODEL CODE	HG36
WEIGHT	208 LBS.
THROAT OPENING	28.2 IN
WIDTH (OVERALL)	35.25 IN
HEIGHT (CLOSED)	22.3 IN

### STANDARD FEATURES

- ◆ DUAL CYLINDERS FOR OPTIMUM HOLDING POWER
- ◆ QUICK COUPLERS— SPECIFY
- ◆ OPEN TOP DESIGN FOR VISIBILITY
- ◆ COMPATIBLE WITH ALL COMPACT UTILITY LOADERS—UNIVERSAL ATTACH PLATE

For more information or to place an order call:

TOLL FREE 1-866-340-3772

SPECIFICATIONS SUBJECT TO CHANGE WITHOUT NOTICE.  
Information effective Feb 1, 2006...Supersedes all previous information

**TERRA** POWER ATTACHMENTS, INC

6680 EAST RIDGEWAY DRIVE  
MOORESVILLE, IN 46158

PH: 1-866-340-3772 FAX: 317-834-2376